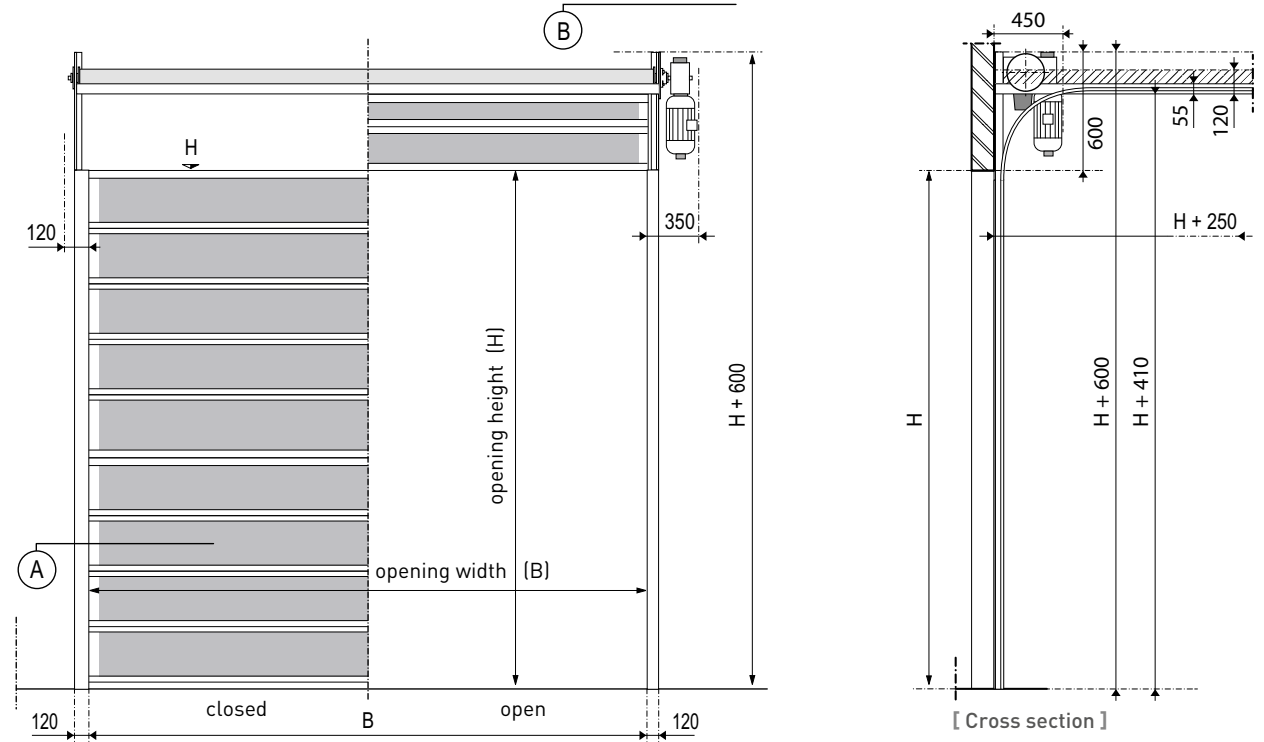


Right side drive

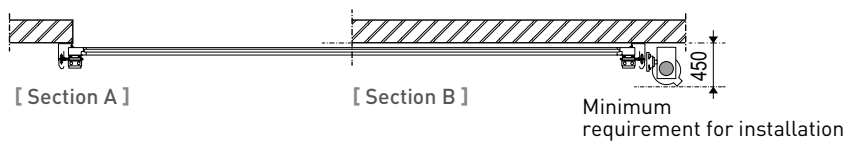
Dimensions



[Front view]

[Drive side]

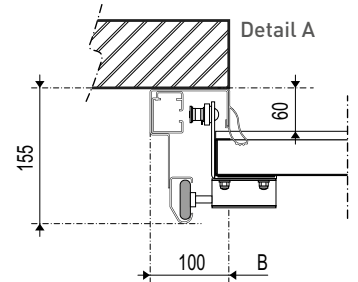
[Cross section]



[Section A]

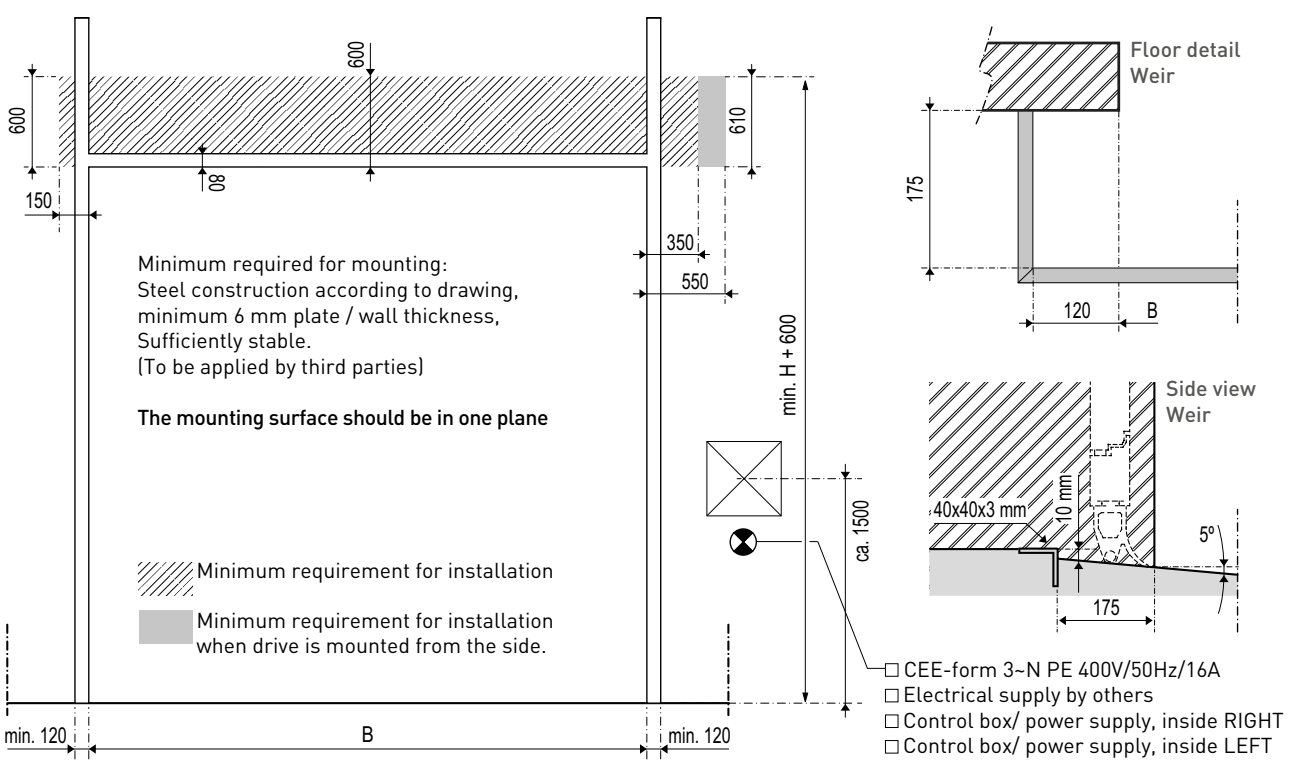
[Section B]

Minimum requirement for installation



Detail A

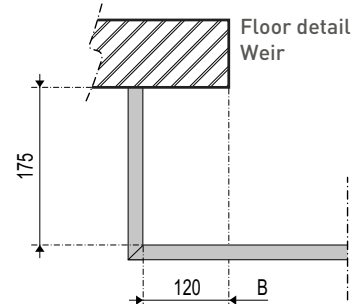
Installation requirements



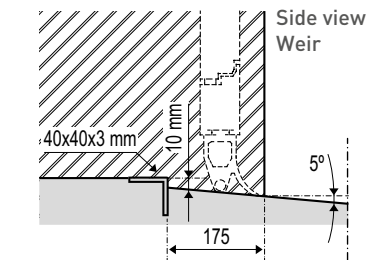
[Front view]

[Drive side]

[Cross section]



Floor detail Weir



Side view Weir

- CEE-form 3~N PE 400V/50Hz/16A
- Electrical supply by others
- Control box/ power supply, inside RIGHT
- Control box/ power supply, inside LEFT